



CUSTOM MADE HEATING ELEMENTS

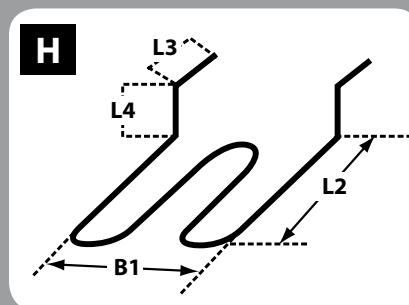
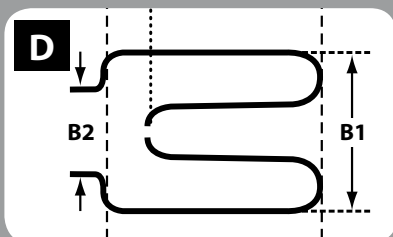
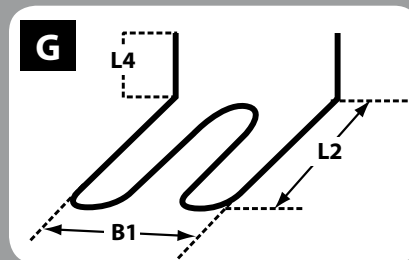
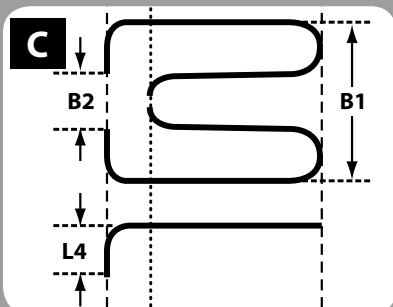
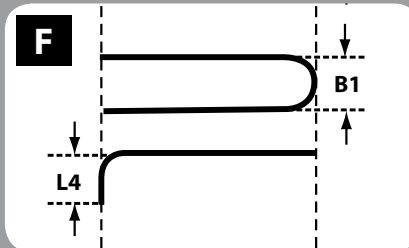
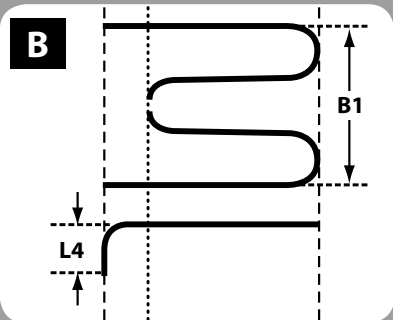
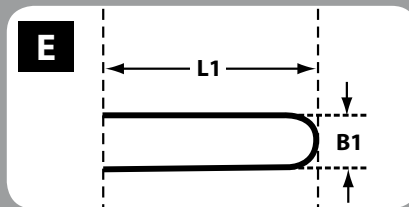
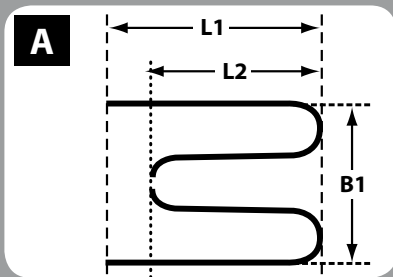
ENQUIRY

ORDER

Please fill out and return to Fax: +49 (0)8142 6522-629

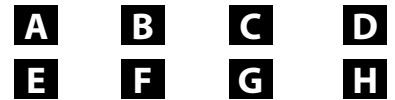
Company/address Company stamp	Contact
	Customer number
	Your order number/reference
	Delivery address

Dimensions



Quantity Pcs

Type:



Measurements :

Element length
(excluding ceramic connection)

L1: mm

L2: mm

L3: mm

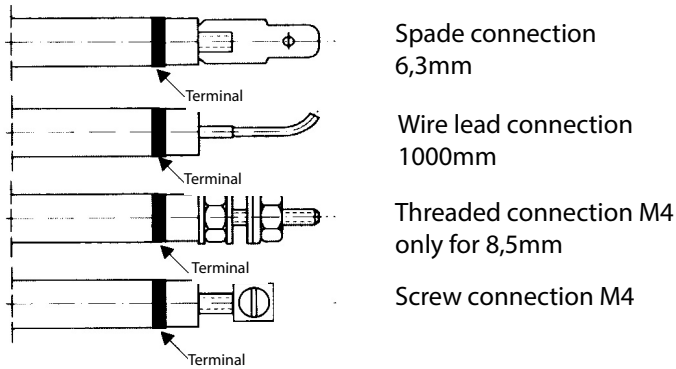
L4: mm

B1: mm

B2: mm

Please fill out and return to Fax: +49 (0)8142 6522-629

Connection type



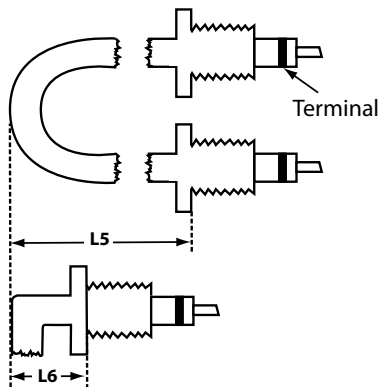
Spade connection
6,3mm

Wire lead connection
1000mm

Threaded connection M4
only for 8,5mm

Screw connection M4

Thread sizes



M10 x 1
(only Ø 6,5mm)

M12 x 1

M14 x 1,5

L5:mm

L6:mm

Technical data

MEDIUM:

Water:

AISI material 316TI 6,5mm 8,5mm

Oil/salt solution/salt water:

Incoloy material 825 6,5mm 8,5mm

Air:

AISI material 309F 6,5mm 8,5mm

Copper material
chrome-plated 8,5mm

Voltage: 230V 400V

Rating: W

Number of returns:

(e.g. E=1 return A=2 returns)